

## 8 MP (4K) IR Minidome IP Cameras

H4D8PR1

Honeywell is taking quality and reliability to the next level with the new Performance Series 4K Ultra HD rugged IP minidome cameras. The Honeywell TDN Ultra HD IR minidome cameras offer incomparable picture clarity, hassle-free flexible system integration, and secure data transmission—and they install easily too!

### Ultra HD 4K Image Quality

- Ultra HD 8 MP (4K) 15 fps image with a 1/2.5" 8 megapixel progressive scan CMOS, or full HD 3 MP 25/30 fps image
- Digital WDR (DWDR) ensures glare-free images
- True Day/Night provides vivid color images by day and clear black-and-white images at night with ICR
- Excellent low-light performance with 3D noise reduction, saving storage and bandwidth together with H.265 codec

### Flexible Surveillance Solution

- 4.0 mm, F1.6, fixed lens
- H.265, H.264 and MJPEG codec, triple stream support
- IR LEDs provide up to 100 ft. (30 m) of illumination in dimly lit or nighttime scenes (depending on scene reflectance)
- Smart IR technology provides even distribution of IR
- Waterproof (IP66) and IK10 impact-resistant camera housing
- -22°F to 140°F (-30°C to 60°C) working temperature
- Security features include individual signed certificates and data encryption
- Cameras can be retrofitted on many existing DVR/NVR installations without requiring additional storage

### Onboard Video Storage

- Supports up to 128 GB microSDHC card for local video storage on events, continuous, or schedule, or with network interruption



### Easy to Install and Use

- Built-in PoE (Power over Ethernet 802.3af) eliminates separate power supply and associated wiring; 12 VDC input where PoE power is unavailable
- ONVIF Profile S and G compliant
- Included accessories: security screw driver (allen key), mounting screws, wall anchors, and mounting template

### Market Opportunities

These fully featured attractive cameras are perfect for outdoor installations that require excellent picture quality at minimal bandwidth while offering maximum protection against dust, dirt, and water. Boasting a sleek modern design and offering 4K high definition images, the cameras are suited for a wide range of applications.

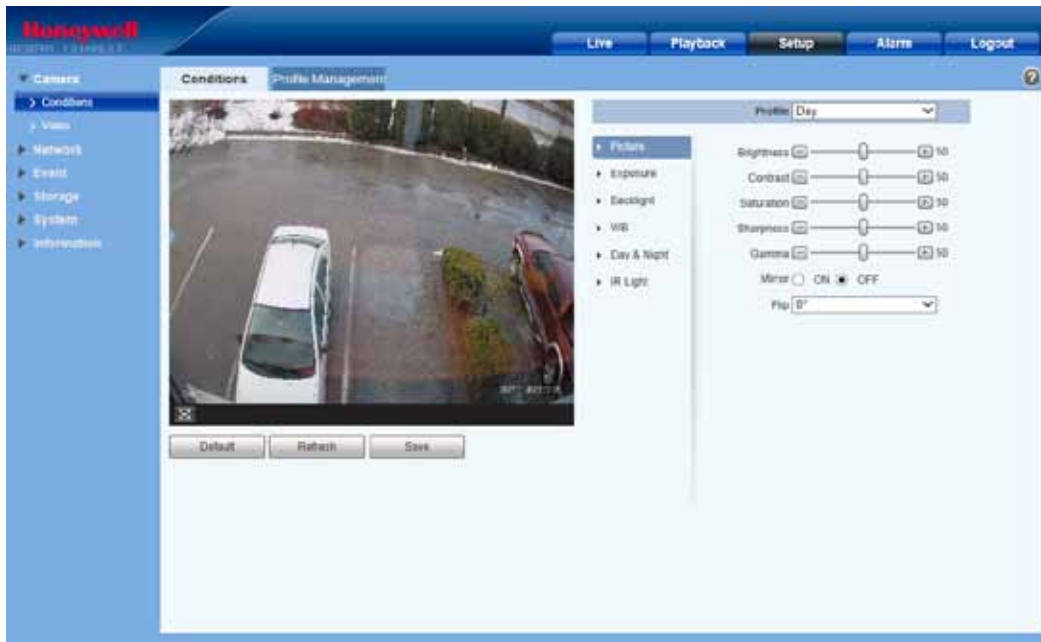
## FEATURES AND BENEFITS

- |  |   |  |  |   |
|--|---|--|--|---|
| <ul style="list-style-type: none"><li>• Ultra HD 4K/8 MP resolution at 15 fps or 3 MP at 25/30 fps</li><li>• Up to triple stream support</li><li>• Digital WDR</li></ul> | <ul style="list-style-type: none"><li>• 100 ft (30 m) IR distance, depending on scene reflectance</li><li>• 1/2.5" 8 megapixel progressive scan CMOS imager</li></ul> | <ul style="list-style-type: none"><li>• Excellent low light performance with down to 0 lux BW (with IR LEDs on)</li><li>• Choice of 12 VDC or PoE (802.3af) power inputs</li></ul> | <ul style="list-style-type: none"><li>• 4.0 mm, F1.6, fixed lens</li><li>• Corridor mode viewing capability</li><li>• On board camera storage: up to 128 GB microSD card</li></ul> | <ul style="list-style-type: none"><li>• ONVIF profile S and G compliant</li></ul> |
|--|---|--|--|---|

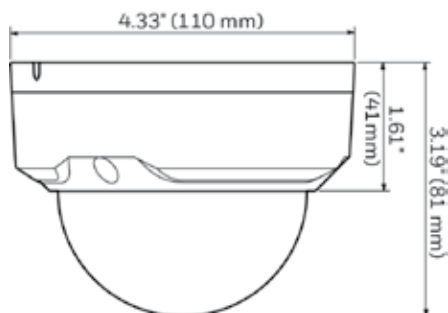
# 8 MP (4K Ultra HD) IR Minidome IP Cameras

## FEATURES CONTINUED

The camera can be configured to automatically detect and respond to events such as motion in the scene, alarm inputs, network failure, and/or camera tampering. Automated responses include: sending a notification through email and/or HTTP; sending a still image of the event through email and/or FTP; and recording a video clip of the event to a configured microSDHC card. Setup can be done through a web client.



## DIMENSIONS



# 8 MP (4K Ultra HD) IR Minidome IP Cameras Technical Specifications


OPERATIONAL		
VIDEO STANDARD	NTSC/PAL	
SCANNING SYSTEM	Progressive scan	
IMAGE SENSOR	1/2.5" 8 MP Progressive CMOS	
NUMBER OF PIXELS (H × V)	3840 × 2160	
MINIMUM ILLUMINATION	0.1 lux (color)/0 lux (B/W) @ F1.6 (with IR LEDs on)	
S/N RATIO	> 42 dB	
ELECTRONIC SHUTTER SPEED	Auto, Manual, 1/3(4) – 1/100,000 sec	
IR DISTANCE	Up to 100 ft. (30 m), depending on scene reflectance	
DAY/NIGHT	Auto (ICR)/Color/BW	
BACKLIGHT COMPENSATION	BLC/HLC/DWDR	
WIDE DYNAMIC RANGE	Digital WDR (DWDR)	
WHITE BALANCE	Auto/Manual/Natural/Street Lamp/Outdoor/Regional Custom	
GAIN CONTROL	Auto/Manual	
NOISE REDUCTION	3DNR	
PRIVACY MASKING	Up to 4 areas	
CORRIDOR MODE	Yes	
LENS	4.0 mm, Fixed lens, F1.6	
ANGLE OF VIEW	Horizontal: 88° Vertical: 48°	
AUDIO/TWO-WAY	Line In/Out	
ALARM INPUT/OUTPUT	1/1	
ETHERNET	RJ-45 (10/100Base-T)	
IP SPECIFICATIONS		
VIDEO COMPRESSION	H.265/H.264/MJPEG Bit rate control (CBR and VBR)	
RESOLUTION	16:9	8M (3840×2160) / WQHD (2560×1440) / 3M (2304×1296) / 1080p (1920×1080) / 720p (1280×720)
	4:3	1.3M (1280×960)
	OTHER	6M (3072×2048) / 4M (2688×1520) / SXGA (1280×1024) / D1 (704×576/704×480) / CIF (352×288/352×240)
FRAME RATE	MAIN STREAM	8M (3840×2160) 1–15 fps; 6M (3072×2048) 1–20 fps; 4M (2688×1520) / WQHD (2560×1440) 1–25 fps; 3M (2304×1296) or lower resolution at 1–25/30 fps
	SECOND STREAM	D1/CIF up to 25/30 fps
	THIRD STREAM	720p/D1 up to 25/30 fps
AUDIO COMPRESSION	G.726/G.711a/G.711u/AAC	
AUDIO STREAM	Full duplex, simplex	

IP SPECIFICATIONS (CON'T)	
SUPPORTED PROTOCOLS*	IPv4/v6, TCP/IP, UDP, RTP, RTSP, HTTP, HTTPS, SSL, ICMP, FTP, SMTP, DHCP, PPPoE, UPnP, IGMP, SNMP, Bonjour, DNS, DDNS, IEEE 802.1x, QoS, NTP, IP Filter, Multicast, ONVIF
COMPATIBILITY	ONVIF Profile S and G
MAXIMUM USERS ACCESS	20 users
SUPPORTED WEB BROWSERS	Internet Explorer® (11.0+)
SUPPORTED OS	Windows® 7 32-bit/64-bit
SECURITY	Multiple user access levels with enhanced password policy, IP filtering, IEEE 802.1x, Strong Digest authentication for Access permission, Force to HTTPS with secure protocol TLS1.2 only and high strength encrypted algorithm AES-256, SSH/Telnet closed
MICRO SD	Up to 128 GB microSDHC card
MICRO SD FUNCTION	Event trigger recording Continuous and scheduled recording Automatic recording when network fails
ELECTRICAL	
POWER SUPPLY	PoE (802.3af) Class 0/12 VDC
POWER CONSUMPTION	6.7 W max. (IR LEDs on)
MECHANICAL	
DIMENSIONS	Ø4.3" × 3.2" (Ø110.0 mm × 81.0 mm)
PRODUCT WEIGHT	0.9 lb. (0.406 kg)
PACKAGE WEIGHT	1.2 lb. (0.531 kg)
CONSTRUCTION COLOR	White (RAL CODE 9003)
ENVIRONMENTAL	
OPERATING TEMPERATURE	-22°F to 140°F (-30°C to 60°C)
RELATIVE HUMIDITY	Less than 95%, non-condensing
INGRESS PROTECTION	IP66
IMPACT RESISTANCE	IK10
REGULATORY	
EMISSIONS	FCC Part 15B, EN55032
IMMUNITY	EN50130-4, EN55024
SAFETY	EU: EN60950-1 North America UL listed to UL/CSA 60950-1
ROHS	EN50581: 2012

\* Some development may be required in specific user cases to support some of these protocols in the field as they mature over time.

# 8 MP (4K Ultra HD) IR Minidome IP Cameras

## RECOMMENDED ACCESSORIES

SYSTEM INTEGRATION		RECOMMENDED RECORDERS	
<p>ONVIF support and open API software integration. Refer to <a href="http://www.onvif.org">www.onvif.org</a> for the ONVIF specification and the Honeywell Open Technology Alliance website (<a href="http://www.security.honeywell.com/hota/">http://www.security.honeywell.com/hota/</a>) to learn more about our open and integrated solutions.</p>		<p><b>HEN08104</b> 8ch, 2 HDD, 8 PoE, 4K, H.265</p> <p><b>HEN16104</b> 16ch, 2 HDD, 16 PoE, 4K, H.265</p> <p><b>HEN32104</b> 32ch, 2 HDD, 16 PoE, 4K, H.265</p> <p><b>HEN16204</b> 16ch, 4 HDD, 16 PoE, 4K, H.265</p> <p><b>HEN32204</b> 32ch, 4 HDD, 16 PoE, 4K, H.265</p> <p><b>HEN64204</b> 64ch, 4 HDD, 16 PoE, 4K, H.265</p>	<p><b>HEN16304</b> 16ch, 8 HDD, 16 PoE, 4K, H.265, RAID 5&amp;6</p> <p><b>HEN32304</b> 32ch, 8 HDD, 16 PoE, 4K, H.265, RAID 5&amp;6</p> <p><b>HEN64304</b> 64ch, 8 HDD, 16 PoE, 4K, H.265, RAID 5&amp;6</p>
RECOMMENDED MOUNTS			
<b>HQA-BB2</b>	Junction Box (Off-White)		
<b>HQA-WK</b>	Wall Mount Bracket (Off-White)		
<b>HB34S2-CM</b>	Corner Mount Adapter (Off-White)**		
<b>HQA-PM2</b>	Pole Mount Adapter (Off-White)**		

\*\* With a compatible junction box (HQA-BB2).

## ORDERING

<b>H4D8PR1</b>	Network TDN Ultra 4K HD IR Rugged Dome Camera, 1/2.5" CMOS, 8 MP, 4.0 mm Fixed Lens, PoE, H.265
----------------	---

### For more information

[www.honeywell.com/security](http://www.honeywell.com/security)

### APAC AND ASEAN HQ Honeywell Security and Fire

Honeywell Engineering Sdn Bhd  
1st Floor, Block B  
No. 10, Jalan Bersatu 13/4  
46200 Petaling Jaya  
Tel: +603 7626 5700

### INDIA HQ Honeywell Security and Fire

Honeywell Security & Fire  
Unitech Trade Center, 1st Fl, Sector-43, Block-C  
Gurgaon 122002 Haryana, India  
Tel: +91 124 6715000

### KOREA HQ Honeywell Security and Fire

Honeywell Co Ltd (Korea)  
Sangam-dong, Sangam IT Tower 5F  
434, Worldcupbuk-ro, Mapo-gu, Seoul,  
03922 Korea  
Tel: +82 2 799 6114

### Honeywell Security & Fire (Pacific)

Honeywell Ltd  
Unit 5, 24-28 River Rd West  
Parramatta  
NSW 2250  
Tel: +1300 234 234

### Honeywell Security & Fire (Pacific)

Honeywell Ltd  
9 Columbia Way  
Norwest Business Park  
BAULKHAM HILLS NSW 2153  
Tel: (02) 9899 4155

ONVIF and the ONVIF logo are trademarks of ONVIF Inc. Honeywell reserves the right, without notification, to make changes in product design or specifications.

L/H4D8PR1D/D | 05/17  
© 2017 Honeywell International Inc.

**Honeywell**